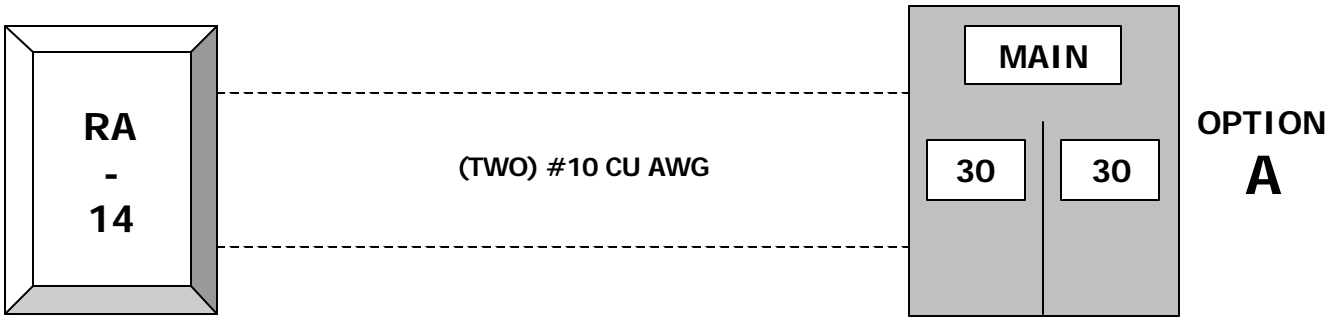
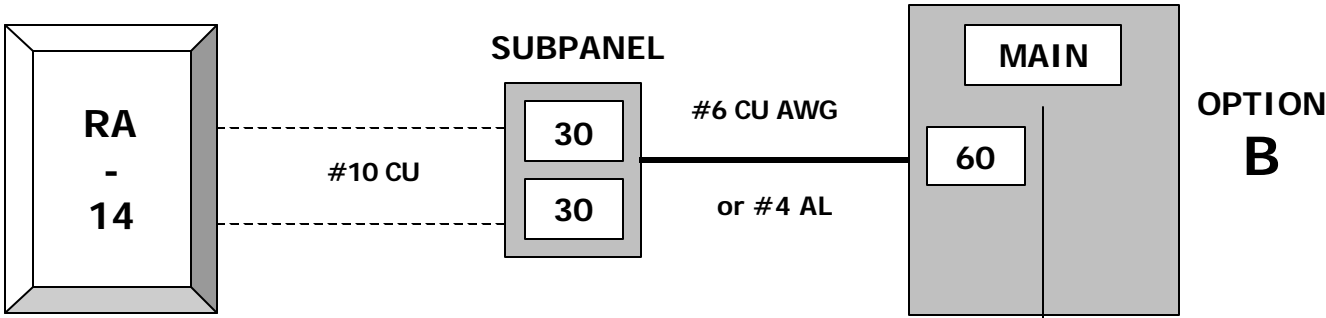


SEISCO RA-14, RA-11 & RA-9 Electrical Wiring & Breaker Guide*

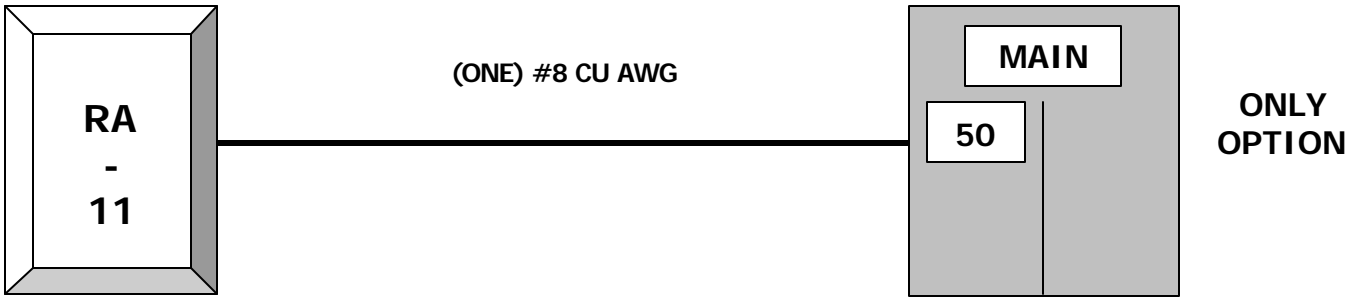
(* For Nominal 240 Volt Electrical Service)



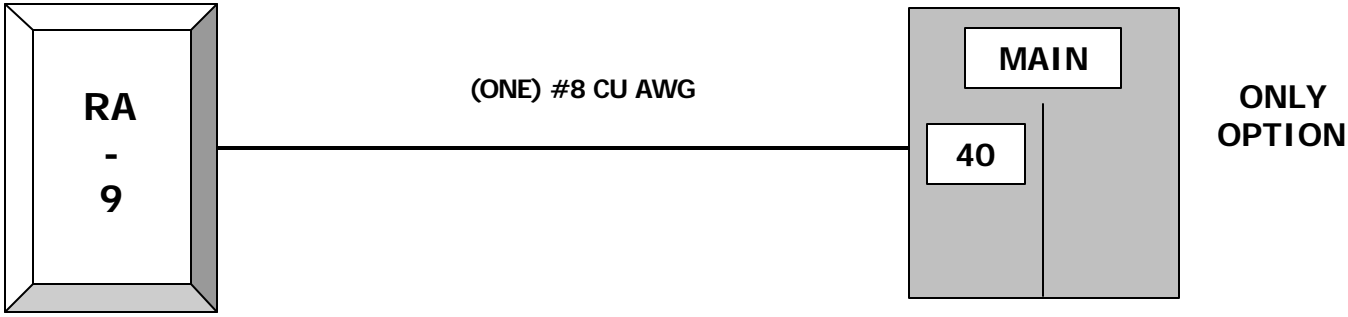
A – Main panel requires 4 spaces or two (2) double-pole, 30 amp, 240 volt breaker positions.



B – Main panel requires 2 spaces or one (1) double-pole, 60 amp, 240 volt breaker position.



RA-11 Main panel requires 2 spaces or one (1) double-pole, 50 amp, 240 volt breaker positions.



RA-9 Main panel requires 2 spaces or one (1) double-pole, 40 amp, 240 volt breaker position.