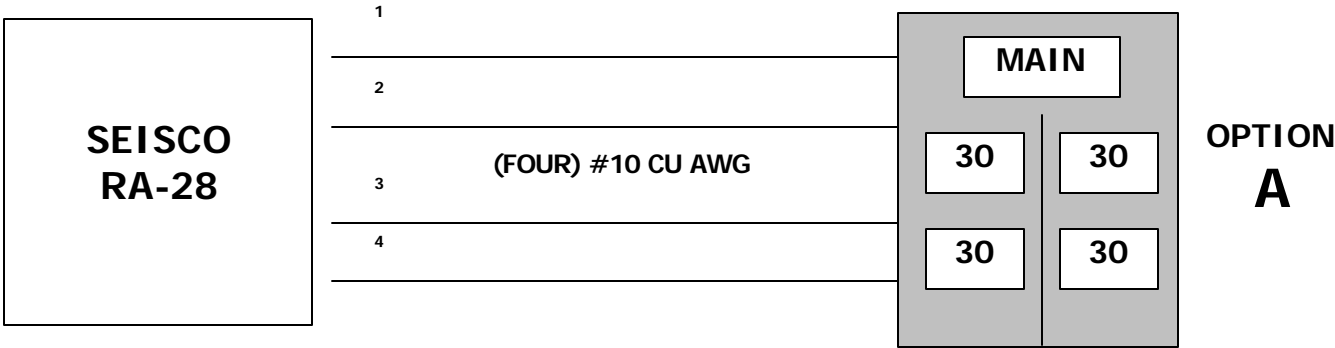


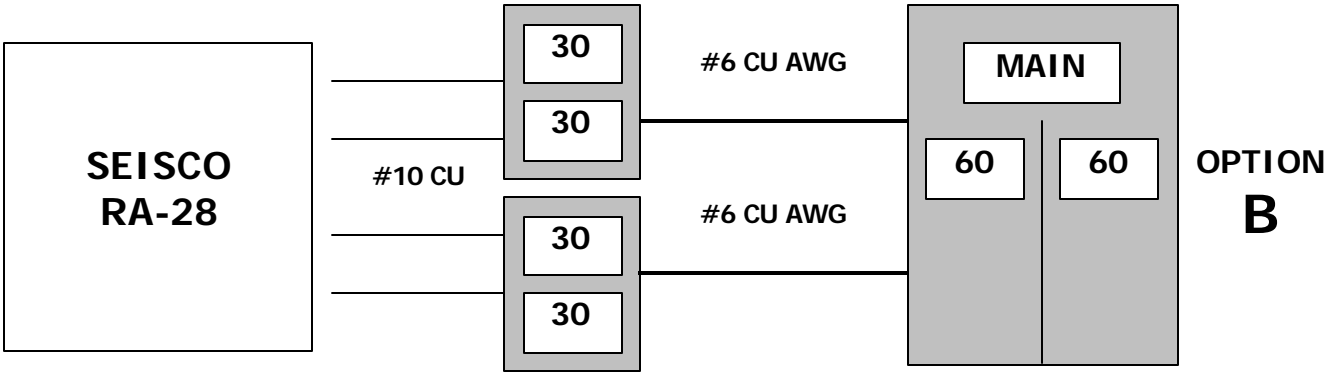
SEISCO RA-28 Electrical Wiring & Breaker Guide*

(* For Nominal 240 Volt Electrical Service)



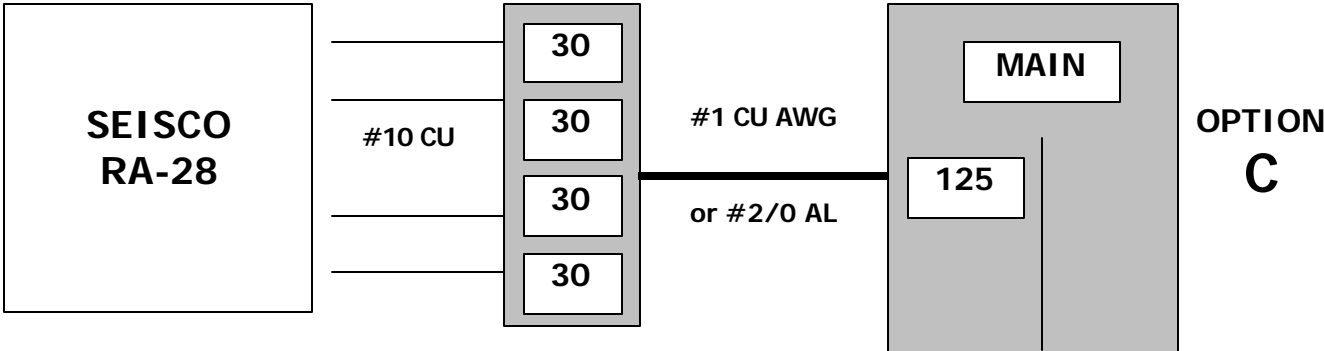
A – Main panel requires 8 spaces or four (4) double-pole, 30 amp, 240 volt breaker positions.

SUBPANELS



B – Main panel requires 4 spaces or two (2) double-pole, 60 amp, 240 volt breaker positions.

SUBPANEL



C – Main panel requires 2 spaces or one (1) double-pole, 125 amp, 240 volt breaker position.