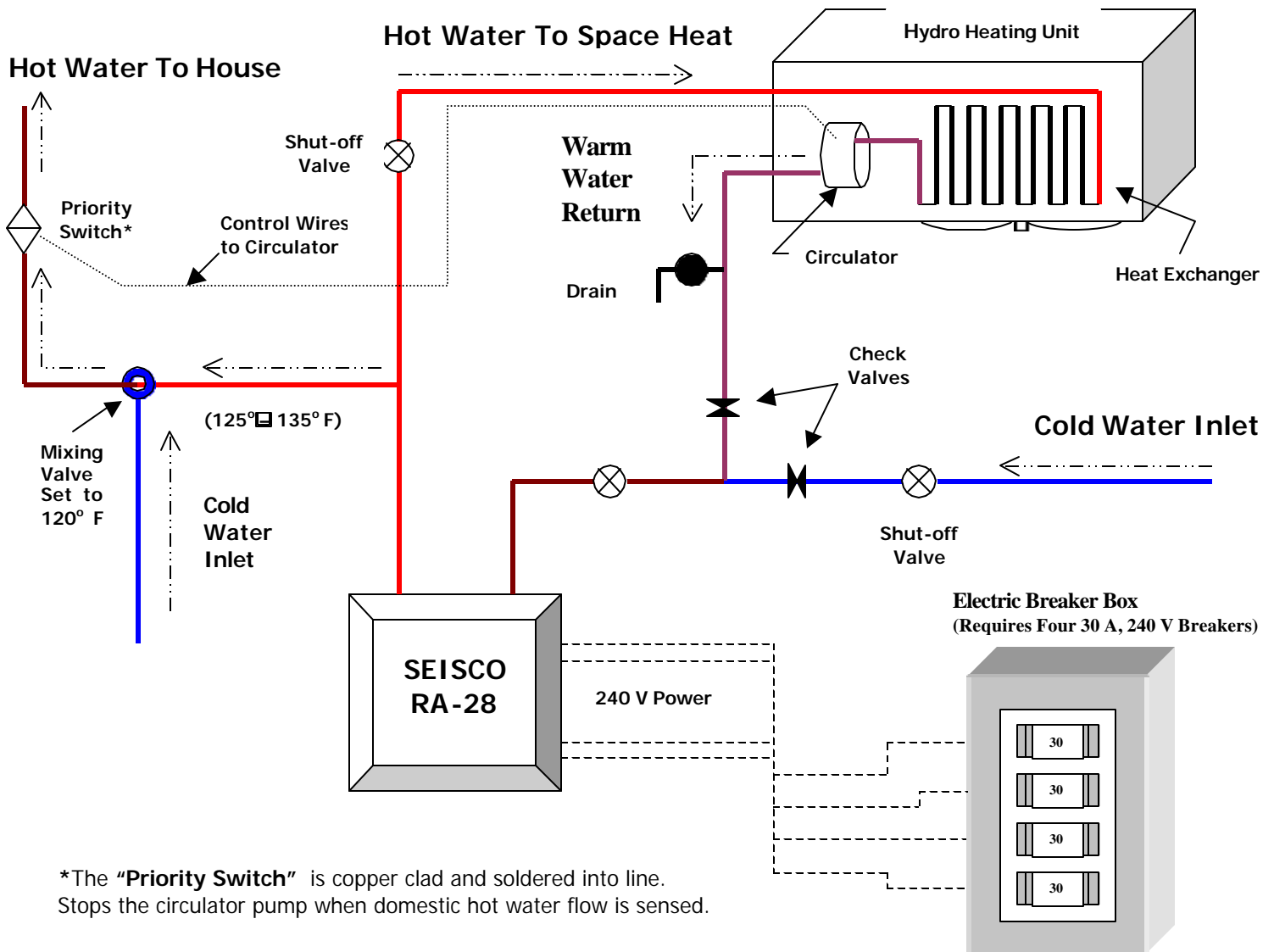


Recommended Hydro Heating System with Seisco Model RA-28 for Space Heating and Domestic Hot Water System Combination

SEISCO Model RA-28

Tank-Less!! ELECTRIC
Continuous Water Heater –
Space Heating Application



*The "Priority Switch" is copper clad and soldered into line. Stops the circulator pump when domestic hot water flow is sensed.

- **Hydro-Heating** systems are generally used for apartments and condominiums throughout the central and southern regions of the United States. Typically, the BTU ratings for these systems range from approximately 27,000 to 40,000 BTU. The Seisco Model RA-28 is rated for over 96,000 BTU output.
- For the Hydro-Heating system to obtain its maximum BTU rating, the Seisco temperature setting may need to be between 125° – 135° F.